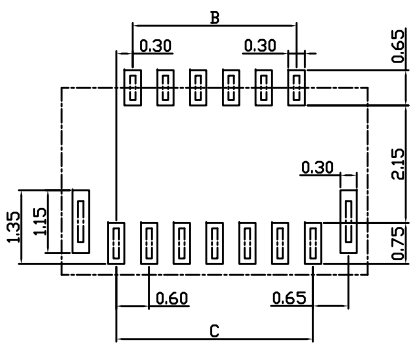
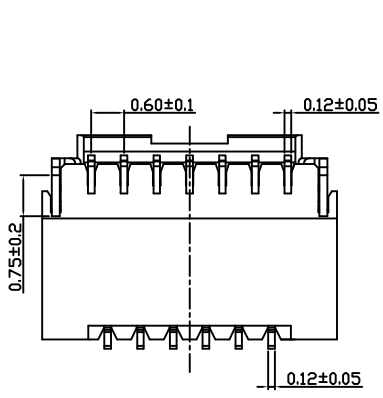
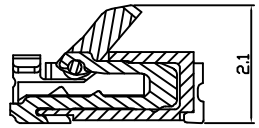
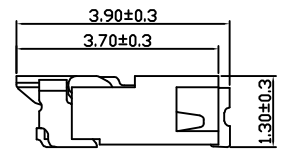
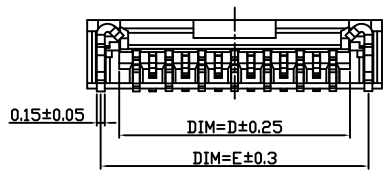
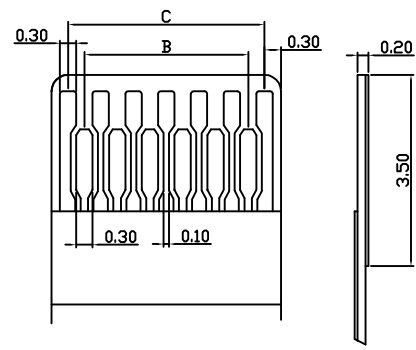


MATERIAL:
 Housing: LCP UL94V-0, Ivory
 Actuator: LCP UL94V-0, Black
 Terminal: Phosphor Bronze, Sn Plated Over Nickel
 Stopper: Phosphor Bronze, Sn Plated Over Nickel



RECOMMENDED PCB LAYOUT



RECOMMENDED FFC/FPC DIM.

PIN NO.	DIM=A	DIM=B	DIM=C	DIM=D	DIM=E
71	22.80	20.40	21.00	21.63	22.30
61	19.80	17.40	18.00	18.63	19.30
57	18.60	16.20	16.80	17.43	18.10
51	16.80	14.40	15.00	15.63	16.30
49	16.20	13.80	14.40	15.03	15.70
45	15.00	12.60	13.20	13.83	14.50
41	13.80	11.40	12.00	12.63	13.30
39	13.20	10.80	11.40	12.03	12.70
37	12.60	10.20	10.80	11.43	12.10
35	12.00	9.60	10.20	10.83	11.50
33	11.40	9.00	9.60	10.23	10.90
31	10.80	8.40	9.00	9.63	10.30
29	10.20	7.80	8.40	9.03	9.70
27	9.60	7.20	7.80	8.43	9.10
25	9.00	6.60	7.20	7.83	8.50
23	8.40	6.00	6.60	7.23	7.90
21	7.80	5.40	6.00	6.63	7.30
19	7.20	4.80	5.40	6.03	6.70
17	6.60	4.20	4.80	5.43	6.10
15	6.00	3.60	4.20	4.83	5.50
13	5.40	3.00	3.60	4.23	4.90

僅供參考

XIAN YI PRECISION CO., LTD. 祥益精密股份有限公司				TITLE / 品名: 0.3mm FPC Short (Bottom Cont) Type RoHS				核準發行章	
APPROVE / 核準				PART NO / 料號: F112X-XXP-XXXXR				A	
CHECKED / 審查		DRAWING / 繪圖		UNIT / 單位		GENERAL TOLERANCE			
DRAWING NO / 圖號				mm		X ±0.50 .X ±0.38 .XX ±0.20 .XXX ±0.10			
James		Chenrong		SHEET 1 OF 1		1.0		圖面僅供參考, 實際尺寸以承認圖為主	
8		7		5		NO. REV / 版本		日期	
						修訂內容		2011/03/02	
						3		2	
								1	